

1

2

3

4

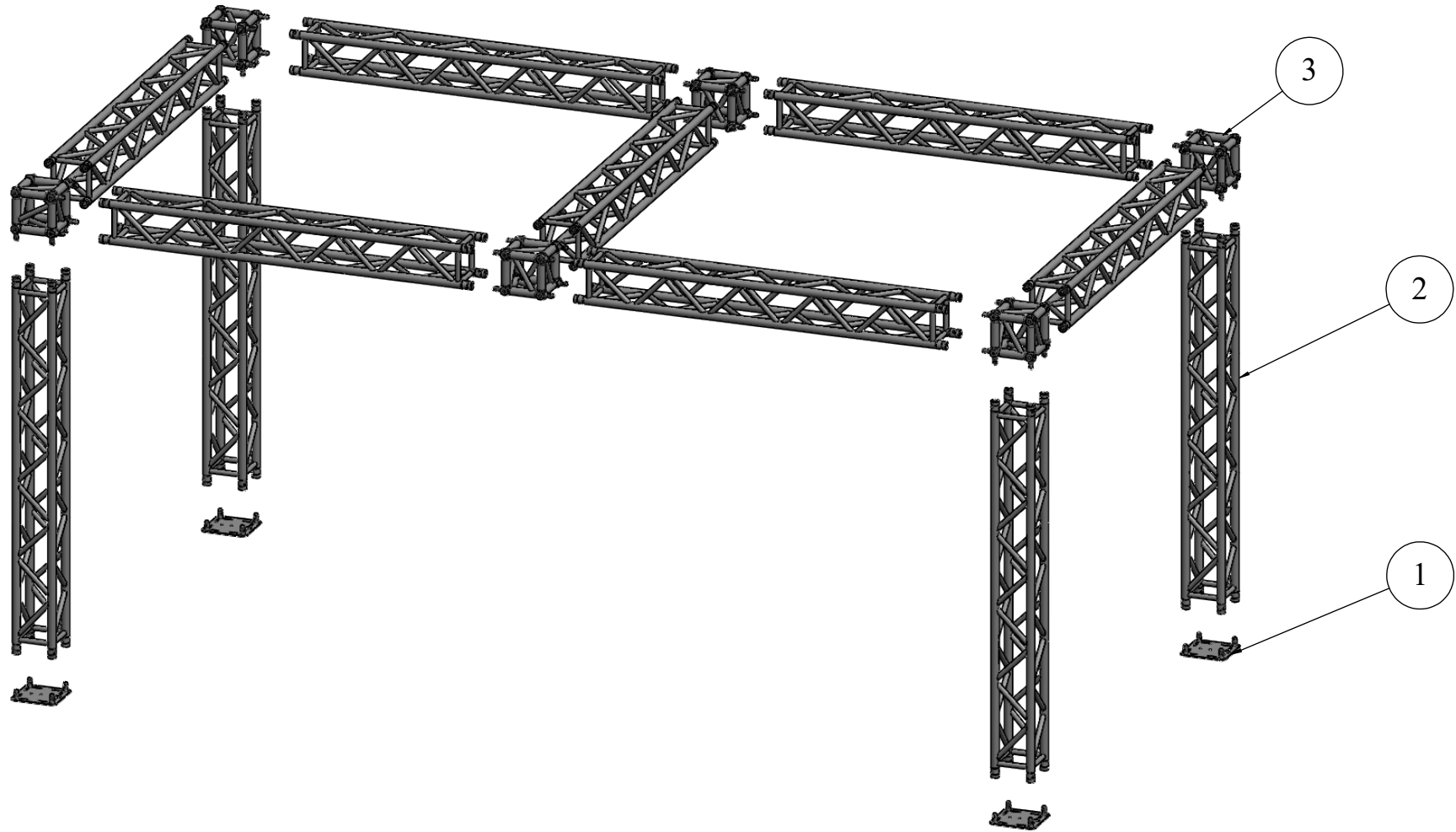
A

B

C

D

E



| Item No. | Description | Qty |
|----------|-------------|-----|
| 1 | XT-BP12A | 4 |
| 2 | XT-SQ820 | 11 |
| 3 | XT-JB6W-4W | 6 |

Tolerances for machined surfaces : DIN ISO 2768 part 1/2 Tolerance classification
 Tolerances for machined surfaces : DIN ISO 2768 part 1/2 Tolerance classification
 Dimensions for roughness : DIN EN ISO 1302 Tolerances for form and position : DIN ISO 1101
 Material: Qty: Mass: gm

XTP-20109B-F34

| Drawing No. | Sheet Scale | Unit | Revision | Sheet |
|-------------|-------------|-------------|----------|-------|
| | 1:40 | [m] feet | | A4 |

1

2

3

4

A

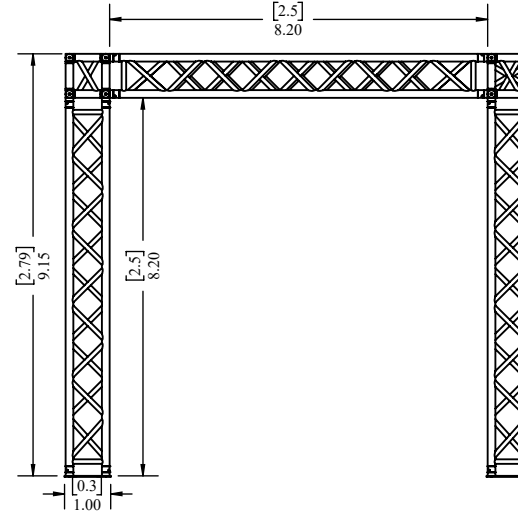
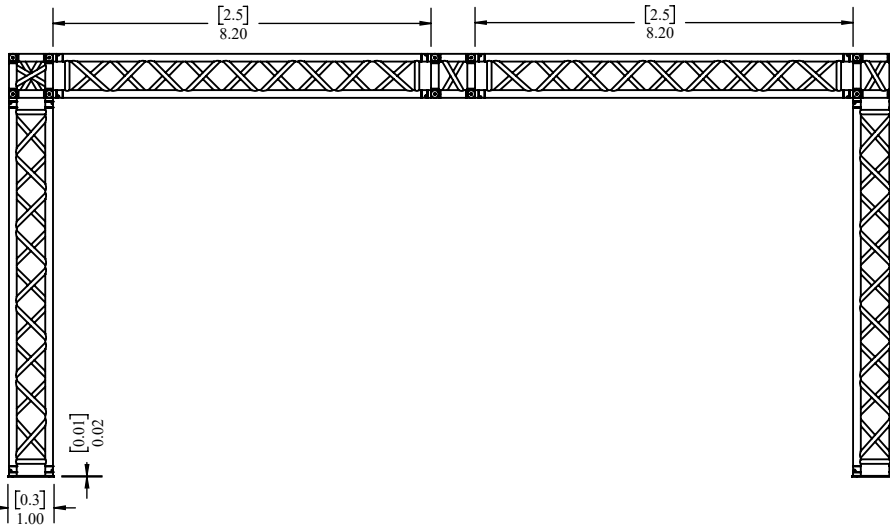
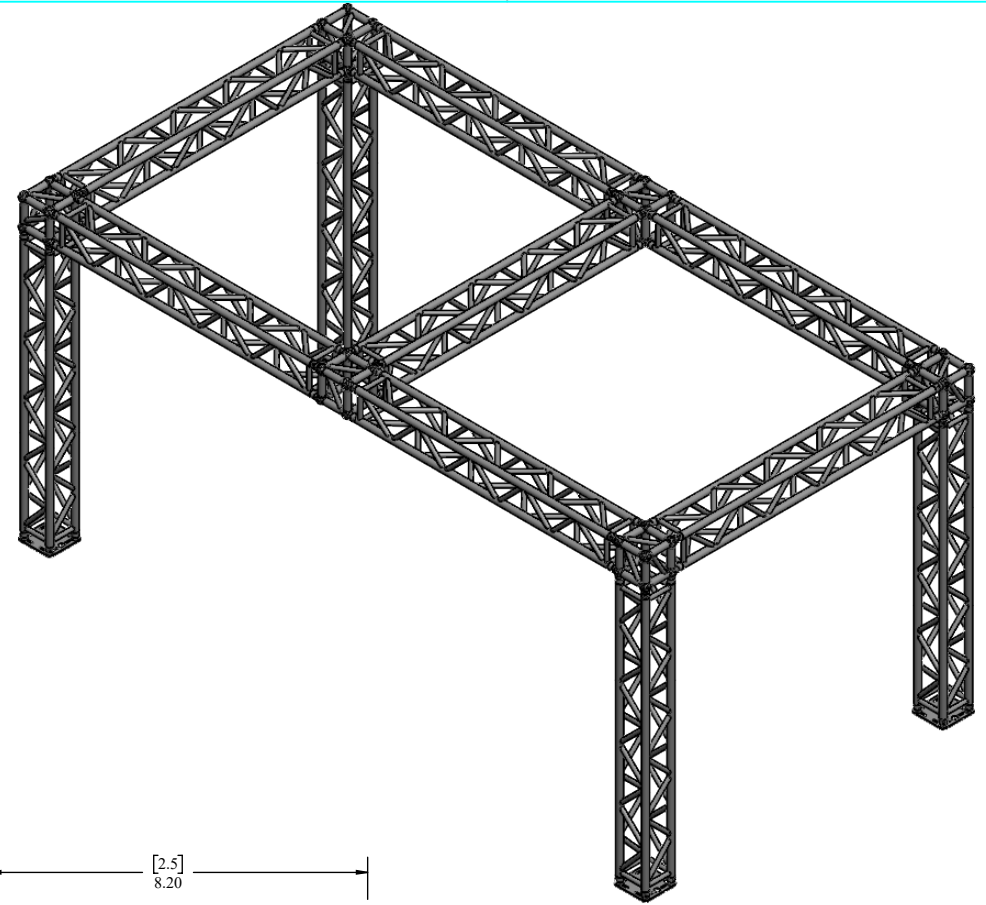
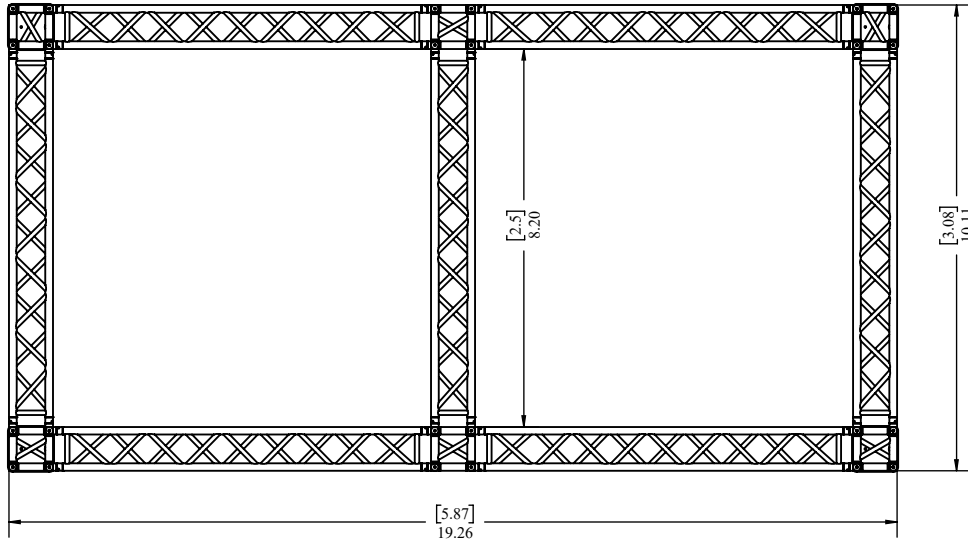
B

C

D

E

F



Tolerances for machined surfaces : DIN ISO 2768 part 1/2 Tolerance classification
 Tolerances for machined surfaces : DIN ISO 2768 part 1/2 Tolerance classification
 Dimensions for roughness : DIN EN ISO 1302 Tolerances for form and position : DIN ISO 1101
 Material: Qty: Mass: gm

| | | | | |
|-----------------------|-------------|-------------|----------|-------|
| XTP-20109B-F34 | | | | |
| Drawing No. | Sheet Scale | Unit | Revision | Sheet |
| | 1:50 | [m] feet | | A4 |