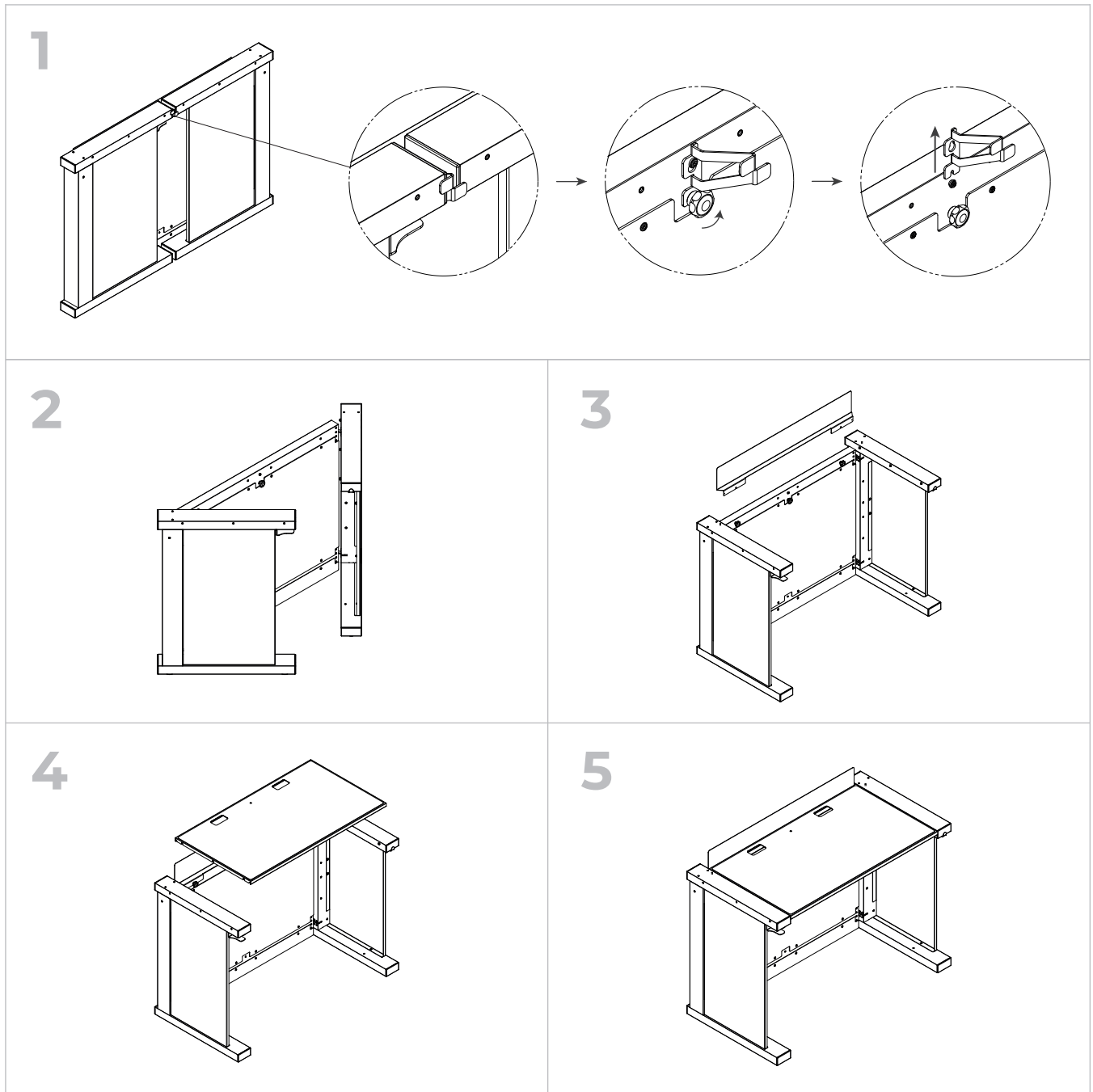


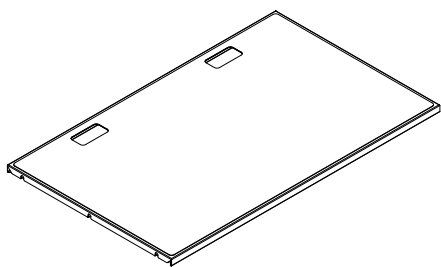
B3 INSTRUCTION MANUAL



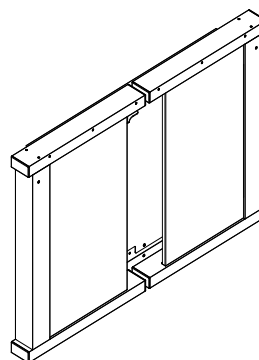
- We inform that the table has to be used for its intended purpose.
- Do not stand on it. Do not place the table in places with high air humidity.
- Proper use will ensure long and trouble-free exploitation.
- To clean the console use non-scratching cleaning supplies available on the market.
- The maximum load of the console is 70 kg. For maximum stability the console should be leveled with the help of four adjustable legs.
- Repair or replacement of components can be done only by trained personnel or in the Humpter authorized service point.
- Information about warranty, post-warranty service and Humpter products can be found on www.humpter.com.

This product is made according to industrial project ID 003496009-0001, notified in the European Union Intellectual Property Office (EUIPO) in Alicante. This product is protected by law.

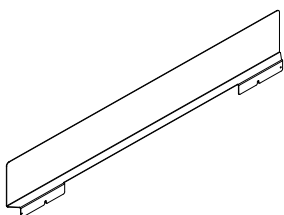
x1



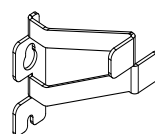
x1



x1



x1



Humpter is owned by:



MP PROJECT
FOR THE MUSICIANS

MP PROJECT Sp. z o.o.
ul. Sołeczka 9
05-400 Otwock
Poland



@humpter



@humpter_dj



humpter.com



humpter.pl



office@humpter.com



+48 608 373 161