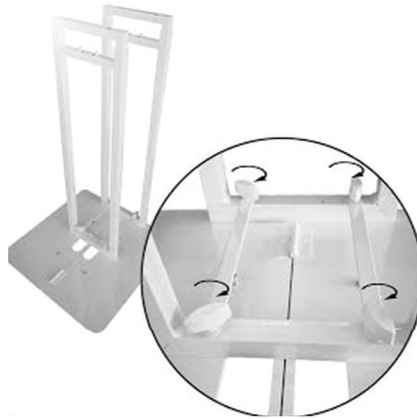
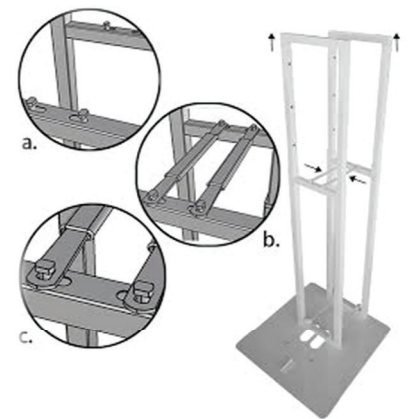




**Open the Folding Base Plate and place over a flat surface.**



**Tighten Knobs to clamp the base to the stand.**



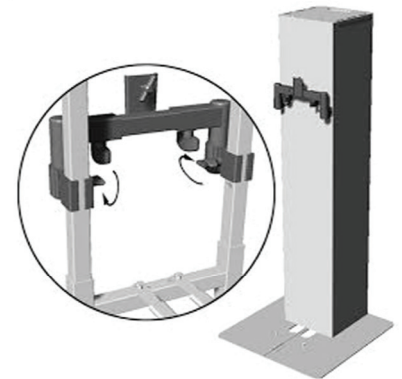
**Squeeze the handles inward to adjust the totem height.**



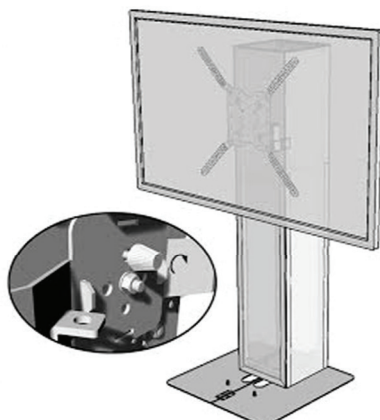
**Tighten or loosen the top plate lower bracket.**



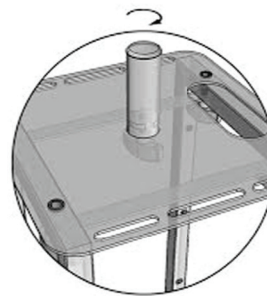
**Once the scrim has been applied unzip each zipper to mount the TV bracket.**



**Mount the TV bracket and tighten the pole clamps on each side.**



**Flex Totem TV™ Supports up to 55-inch TV's**



**Tighten the included Speaker Stud to mount a top of the totem.**