



Home > Products > ProX Stands > Fenix® Lifting Towers > > Fenix Stand Mount for Hercules Line-Array Lift Systems - Black

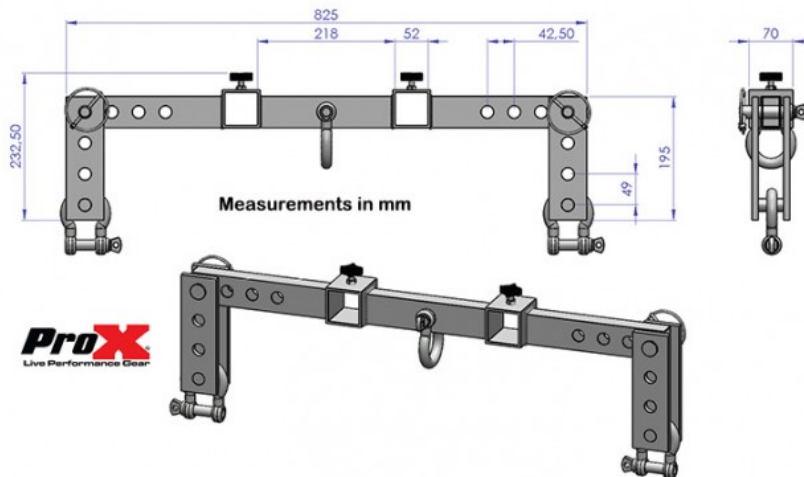
SKU: XT-AC582B

Permalink:

[Search on Google](#)

<http://www.proxdirect.com/products/view/147>

Fenix Stand Mount for Hercules Line-Array Lift Systems - Black

[Find A Dealer](#)


Product Images


[Download Product Images](#)

Our Products And You

Submit your
story

ProX XT-AC582B Fenix Stand Mount for Hercules Line-Array Lift Systems - Black

Description

The **ProX/Fenix XT-AC582B** is designed to mount medium to big line array systems on the Fenix Hercules series lift units.

- Stand mount for medium/big line-array systems. 2 positions.
- Compatible with Fenix HERCULES Series frontal loading lifting towers.
- View in 3D: [Click Here](#)

Features

- **Essential for mounting line array systems on Hercules series lifts**
- **Welded Steel Construction**
- **Black Powder Coated**
- **Covered by Fenix Factory Warranty**

To Fit

Fenix Hercules 6, 6.5 & 8

Weight: 17.64 lbs

Shipping Weight: 19.00 lbs

Suggested Shipping Method: Parcel

UPC

1034488622398

Our Products and You

Submit your
story

Commonly Asked Questions

+ Where can I buy one?

[submit a question](#)

Customer Testimonials

What did you think

Related Products



21 Ft. Lift Frontal Loading Lifting Tower for Line Array - Max Load 500kg-1102 lbs | Black Aluminum
SKU: XT-HERCULES
6.5 PLUS



T-Bar fits Fenix AT06 or AT04 Line Arrays Systems - Black
SKU: XT-AC569B



Stand for Fenix XT-AT06 Line Arrays systems
SKU: XT-AC569