

**Our Offices will be closed for the holidays on the following dates:**

**Oct. 5, 10-11, and 17-18.**



Home > Products > ProX Truss > F34 Conical Truss 2mm > Cross, Corner & T , Circular Arcs / Constructors > Square Truss Corner 2 Way 90 Degree Round

SKU: XT-SQ164-2W90-RC

Permalink:

[Search on Google](#)

<http://www.proxdirect.com/products/view/102>

## Square Truss Corner 2 Way 90 Degree Round

[Find A Dealer](#)



### Product Images

[Download Product Images](#)

### Our Products And You

Submit your story

### ProX XT-SQ164-2W90-RC Square Truss Corner 2 Way 90 Degree Round

#### Description

The ProX XT-SQ164-2W90-RC 2-way 90° Rounded Corner, 1.64 ft. (0.5 meters), truss corner helps you easily make soft squares or

rectangles and works with the ProX XT Series box truss.

**ProX Truss** has the most trusted staging support systems in the industry, and is built to the highest standards of safety and performance. It's a rugged yet lightweight trussing solution perfect for mobile DJs, bands, outdoor performances, nightclubs, live mobile productions, or permanent installations.

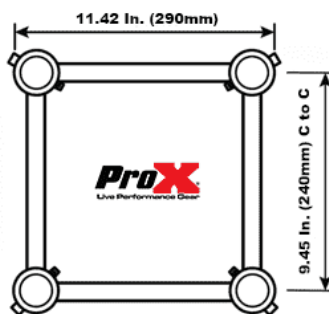
At the heart of the system is square truss that utilize a standard conical connector system, which easily mates with other brands of truss of the same size and connector style, and is available in a variety of lengths to suit your designs. It also works with different types of corners, base plates, connectors and accessories that add stability while expanding on limitless configurations.

Always know your load weight for your equipment: [VERY IMPORTANT - CLICK HERE for Truss Loading Chart.](#)

- **Tolerance Free Standard Conical connector**
- **Main tube wall thickness of .08in**
- **Includes connecting hardware set.**

#### XT-SQ SERIES DIMENSIONS:

- Height: 11.42in / 290mm
- Width: 11.42in / 290mm
- Weight: 21lb per 3.28 ft / 9,5kg per meter
- Main Tube: 2in / 50mm
- Wall Thickness: .08in / 2mm
- Braces: .75in / 20mm



ProX Truss products utilize industry standard dimensions to be compatible to connect to/with many other manufacturers trussing.

#### Features

ProX Trussing provides high strength with exceptional quality control and excellent pricing.

- **We own the factory, not generic trussing!**
- **Built to exacting specifications**
- **TUV Certified Welding & Processes**
- **Compatible with most Conical Coupled trussing**
- **Includes tapered shear pins with clips and 4 conical couplings**

#### To Fit

Standard Size F34 Truss Configurations.

#### Dimensions

19.68"L x 19.68"W x 11.42"H

Weight: 15.00 lbs

#### Shipping Dimensions

21.00"L x 20.00"D x 12.00"H

Shipping Weight: 14.00 lbs

**Suggested Shipping Method: Parcel**

#### UPC

019372406440

#### Our Products and You

Submit your  
story

---

## Commonly Asked Questions

+ Where can I buy one?

[submit a question](#)



## Customer Testimonials

What did you think

---

## Related Products

**6 Way Square  
Truss Junction  
Block - Includes 4  
Way 16 Half  
Conical Couplers**  
SKU: XT-JB6W-4W

**3.28 Ft - 1.00 M F34  
Square Truss  
Segment | 2 mm  
Wall**  
SKU: XT-SQ328

**Square Truss  
Corner Block 3  
Way T 90 Degree**  
SKU: XT-SQ164-3WT

**Square Truss  
Corner 2 Way 90  
Degree**  
SKU: XT-SQ164-2W90

**6.56FT 2M F34  
Square Frame  
Circular Truss - 2  
Segments | 2mm  
Wall**  
SKU: XT-CSQ656