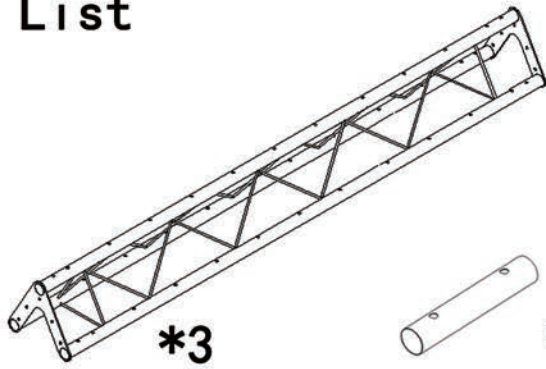
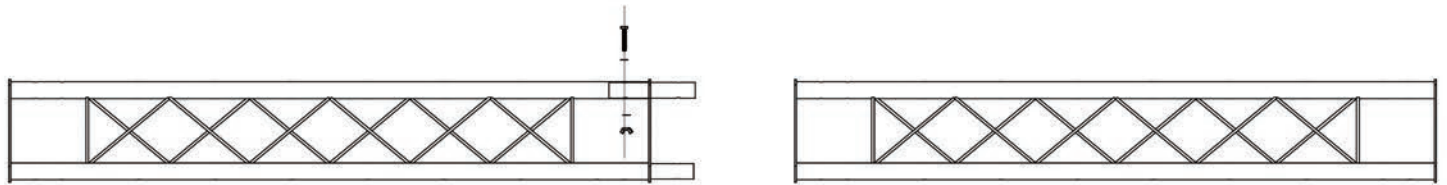


Part List

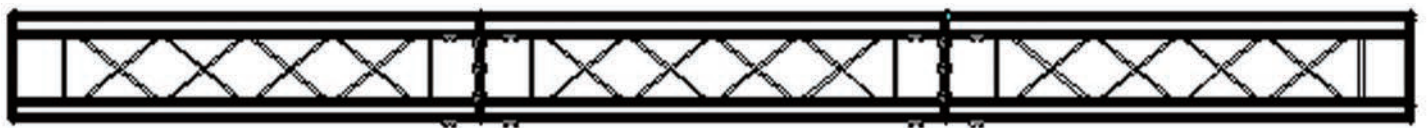
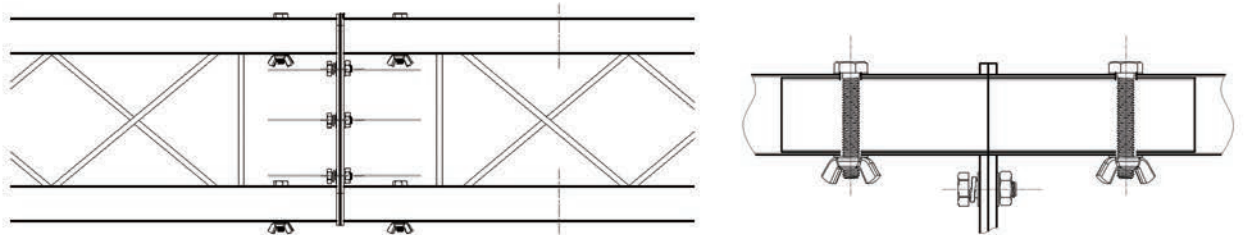


	*12		*10
	*44		*10
	*12		*10

1



2



This package includes: 3 Pieces of 57" triangle trussing

SAFETY INSTRUCTIONS

To avoid problems a competent person should inspect all rigging hardware, stands and equipment before each use and periodically do a major inspection for signs of wear, abuse, and general adequacy, as well as perform any manufacturer recommended preventive maintenance on schedule. Observe all warnings and usage instructions.

Basic Usage:

Ensure that your stands are positioned on hard stable surface, in a suitable location, on firm ground and clear of overhead obstacles.

Stabilize legs before lifting the tower or any load.

When outdoors, secure the tower with braces or cables, in case of wind.

Safety Notes:

Loading on truss and stands should comply with rated weights.

Lock all the safety mechanisms (safety pins, knobs)

Loads must be centered & balanced on each lifting unit.

Safety chains must be installed on each item attached to the unit.

Leave a safety perimeter with a radius 5ft greater than the maximum height of the stands during lifting and lowering of loads.

During transport, close all the sections and lock the lifting carriage.

Do not attempt to move the stand when loaded or in an extended position.