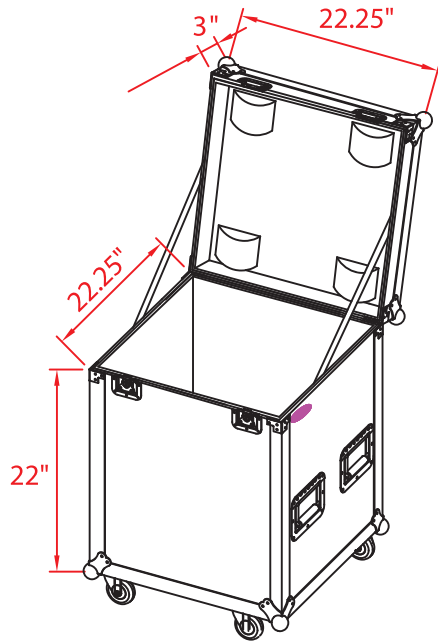
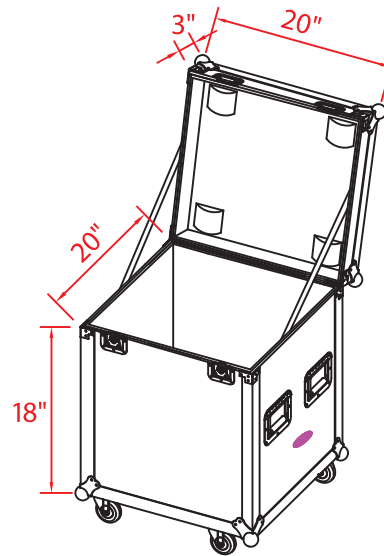


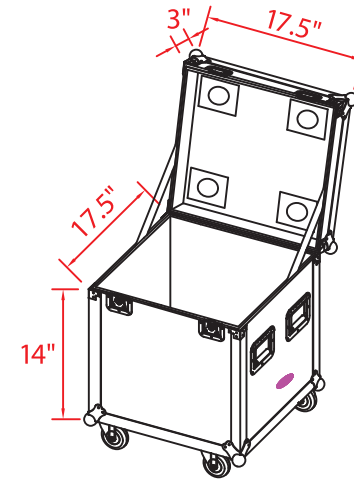
## Exterior Dimensions



**Large Case**

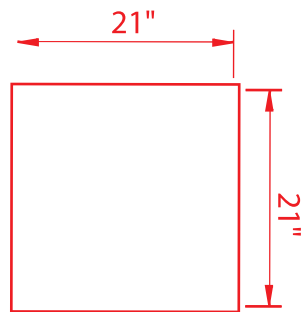


**Medium Case**

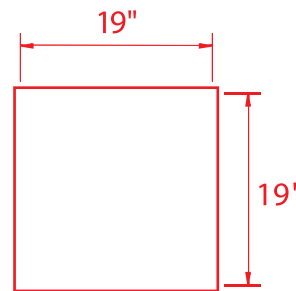


**Small Case**

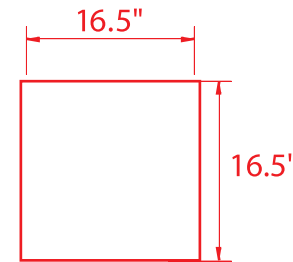
## Interior Dimensions



**Int. Depth**  
22"



**Int. Depth**  
18"



**Int. Depth**  
16"