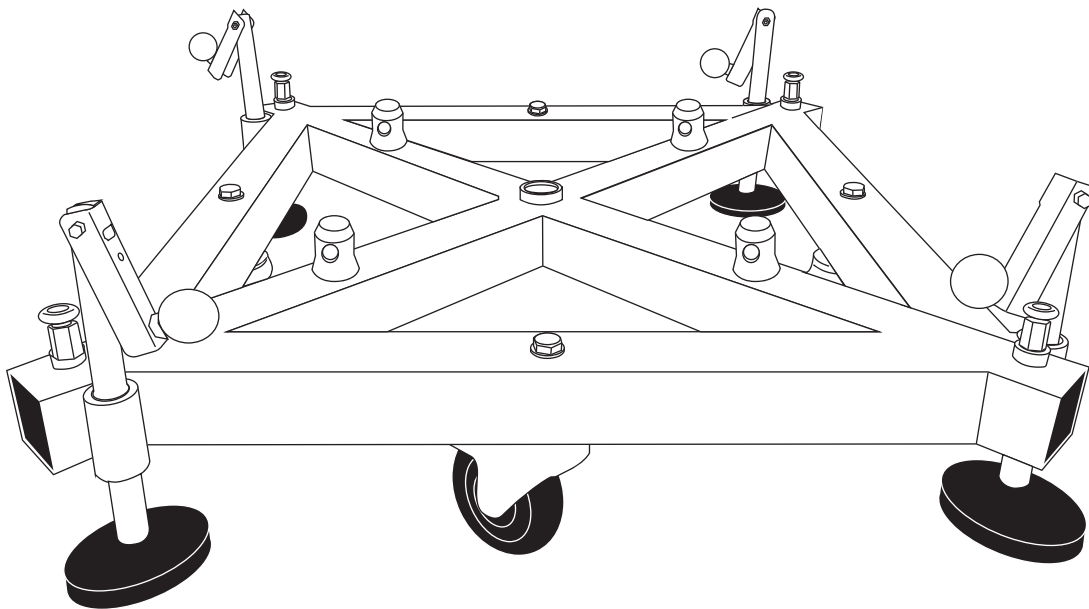


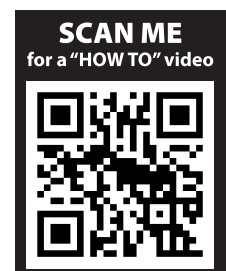
XT-GSB MK2

Universal Truss Ground Support on Wheels
With leveling jacks for **F34** And **F44**



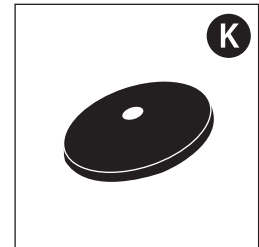
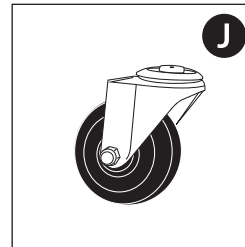
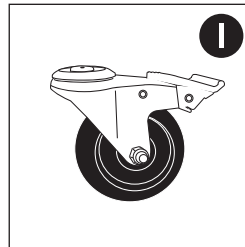
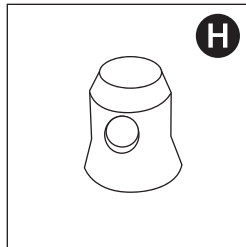
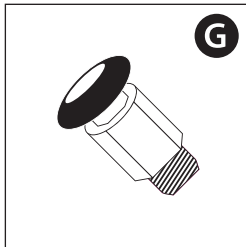
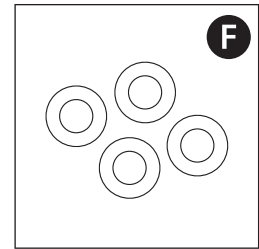
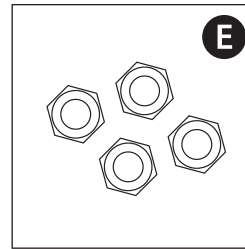
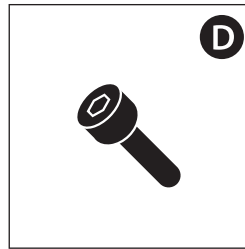
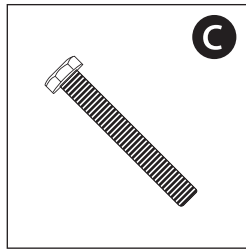
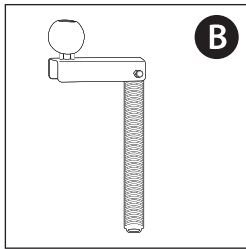
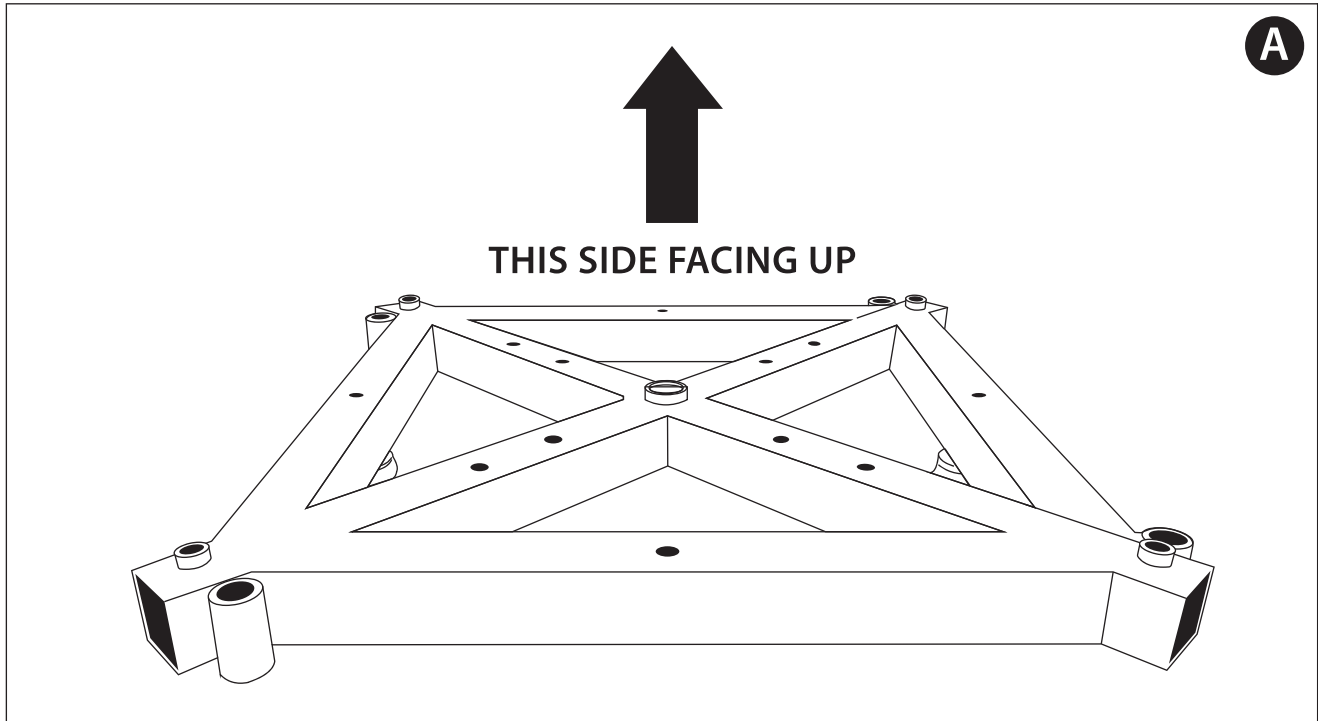
FEATURES

- Tolerance-Free standard conical connectors
- Manufactured to factory specifications
- Leveling screws in captive nuts
- TUV Certified steel welded
- Powder-coated black finish
- Industrial grade casters



Step 1

How to Setup XT-GSB MK2 Ground Support Base



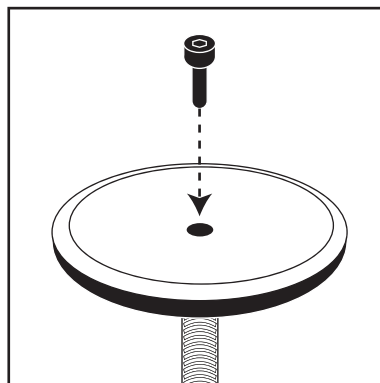
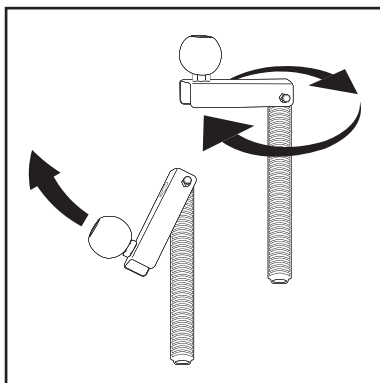
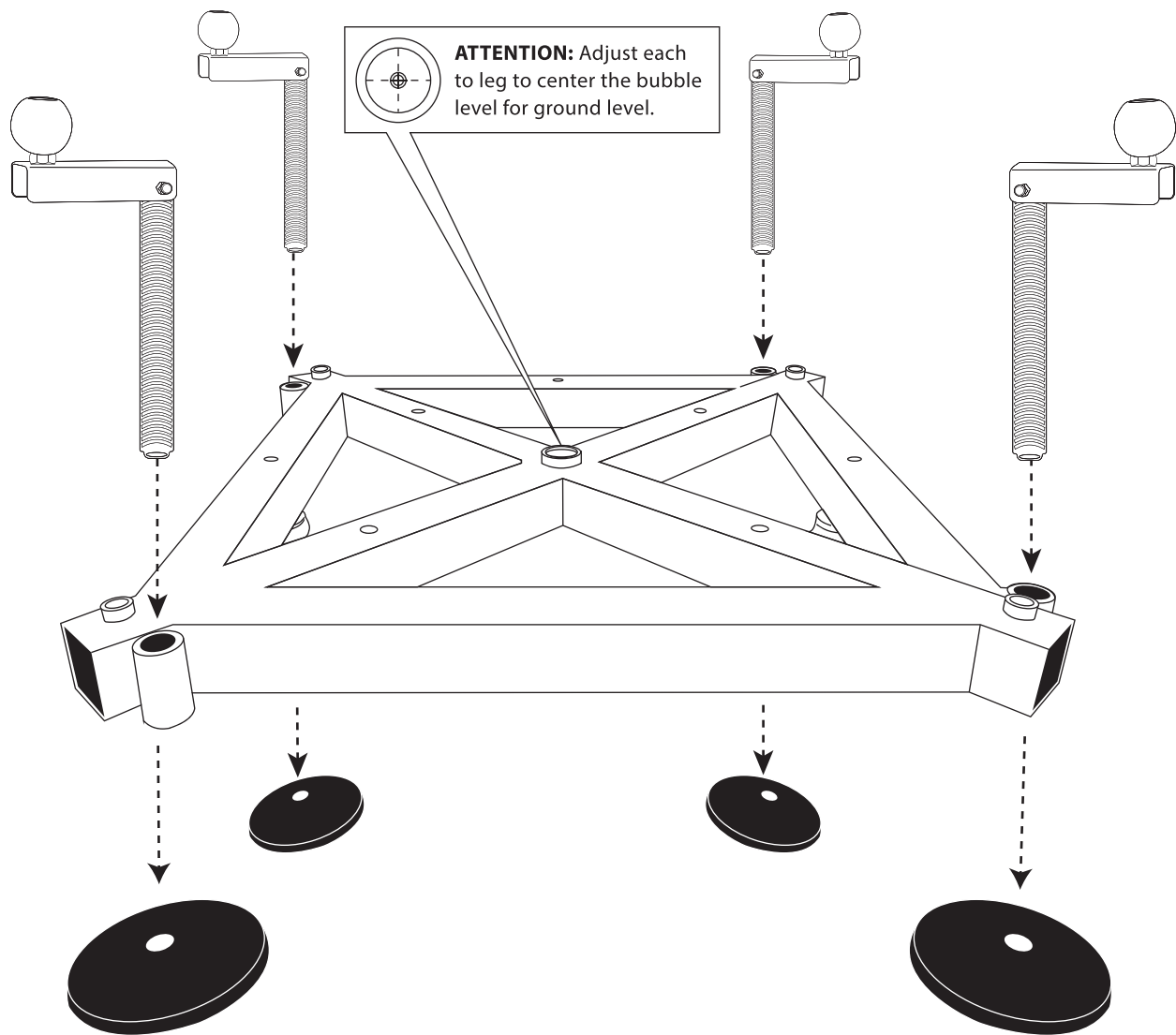
Included Hardware

- (A) XT-GSB MK2 frame w/ bubble level
- (B) Adjustment screw handles
- (C) Hexagonal tap bolts
- (D) Hexagonal screws
- (E) Hexagonal nuts

- (F) Flat-Fastener washers
- (G) Push/Pull release buttons
- (H) Half-conical connectors
- (I) Swivel plate casters w/brakes
- (J) Swivel plate casters
- (K) Rubber stopping feet

Step 2

Install Height Adjustment Handles & Feet

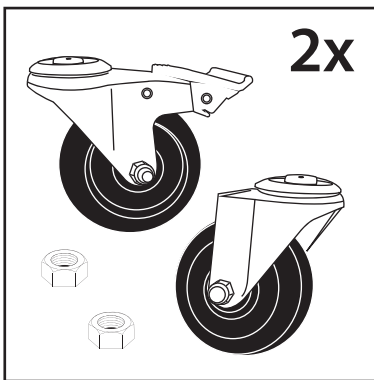
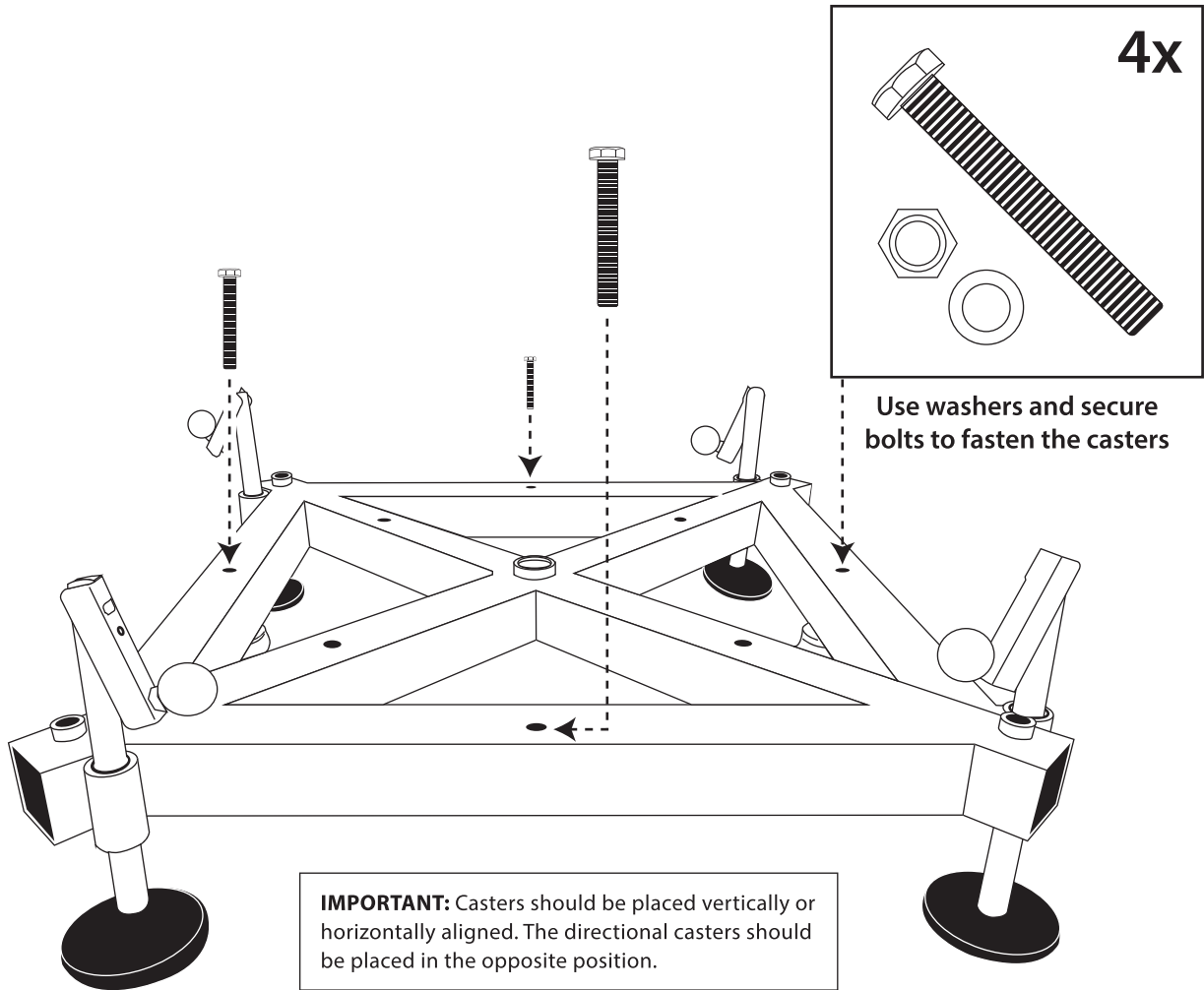


Insert each Hex bolt into the top position, lift handles and rotate inside each of the offset holes located on the corners of the frame.

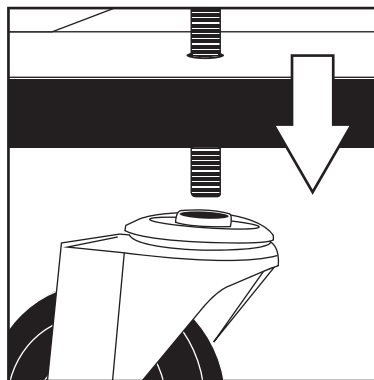
Mount the rubber stoppers underneath and use the hex screw to secure the feet into the height adjusting bolts.

Step 3

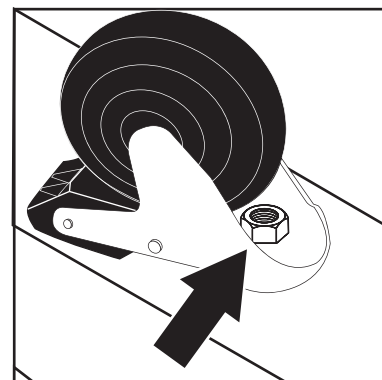
Install the Caster Wheels to the bottom of the base



Mount the braking caster and directional caster in a cross pattern on the frame



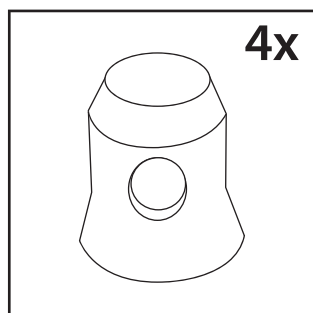
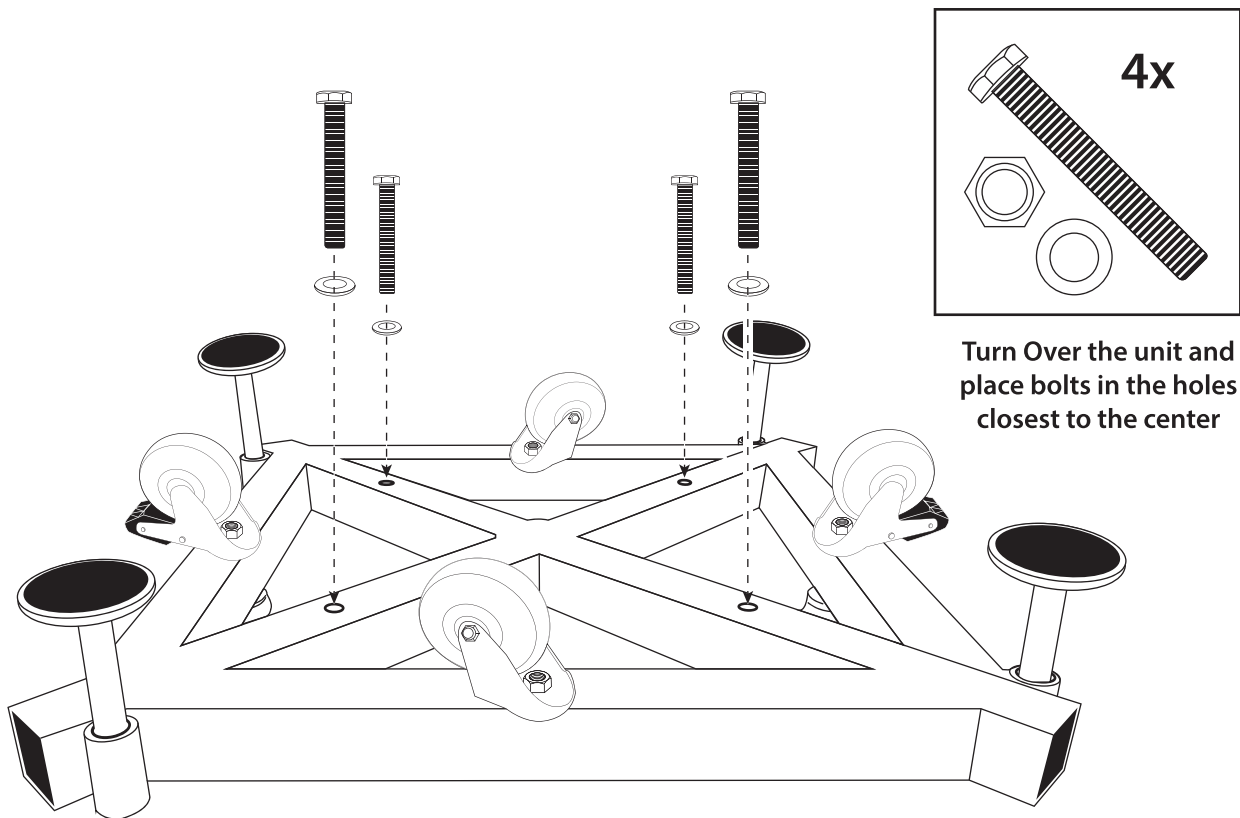
Screw the bolt through the frame and out the other side into the caster hole



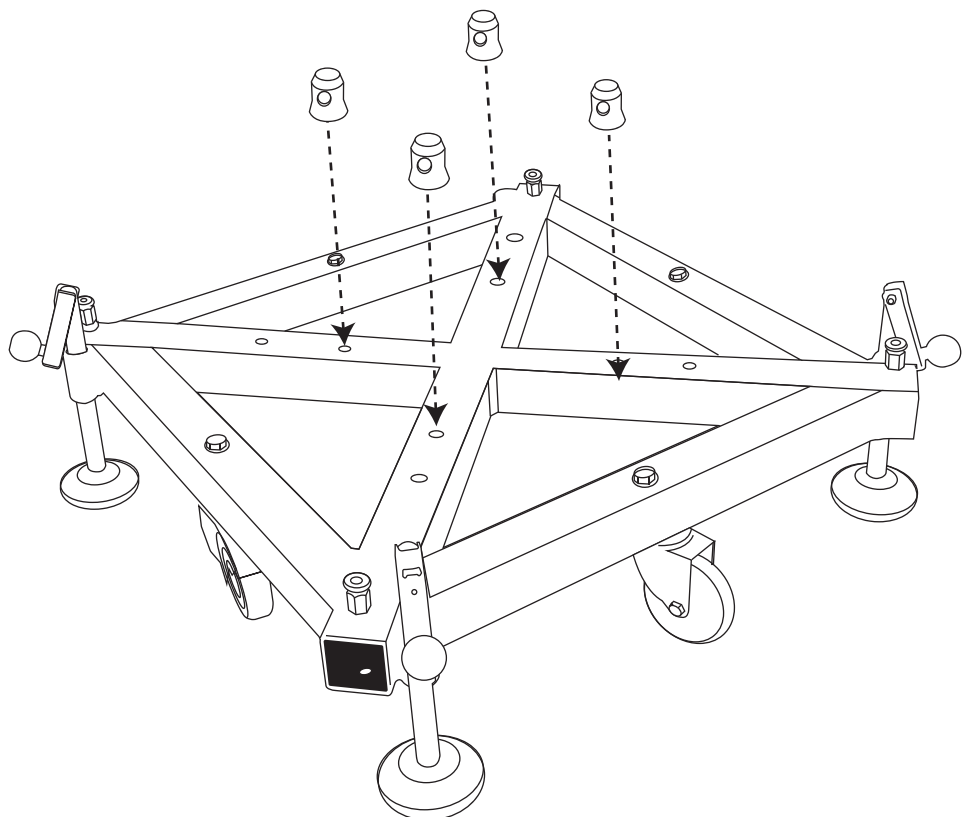
Screw the hex nut onto the bolt going through the caster housing plate

Step 4

Install Half-Conical Truss Connectors

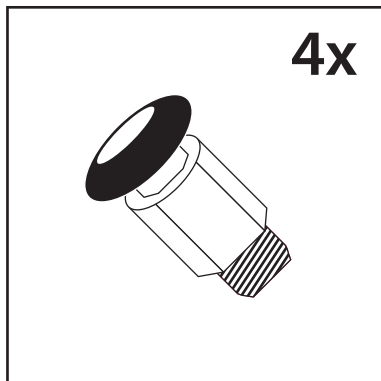
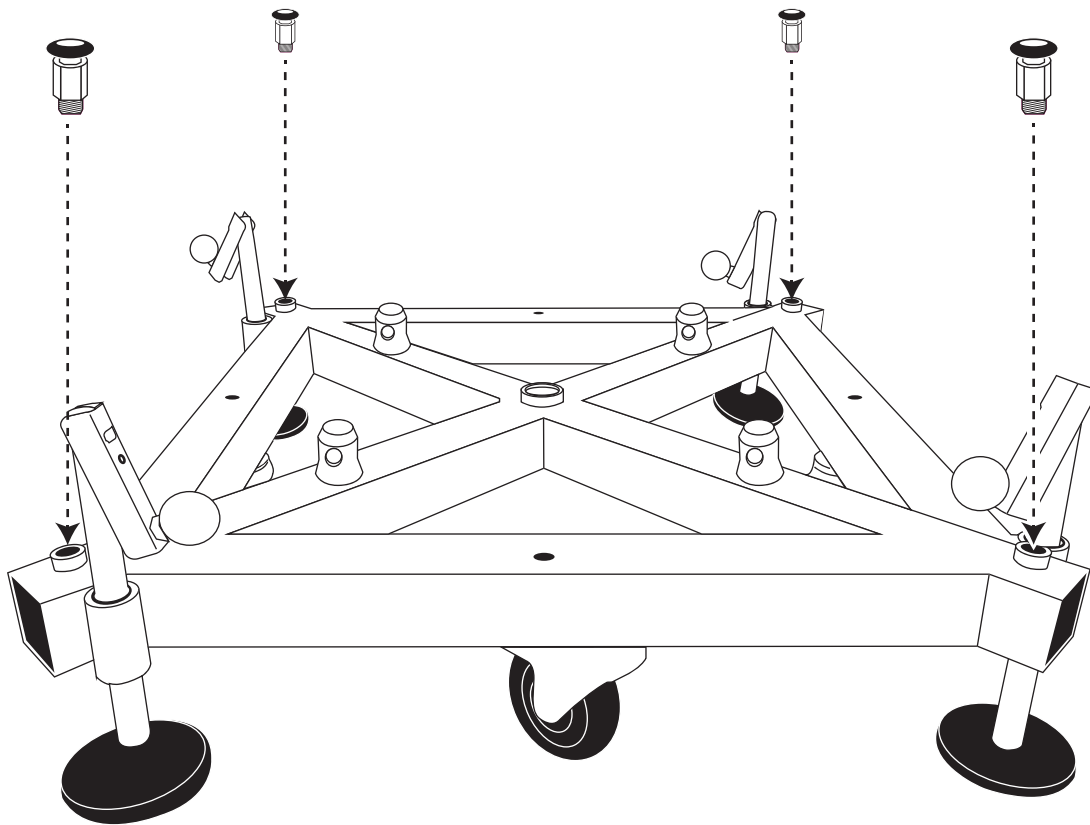


Mount half-conical Truss adapter to the bottom of 1.64 ft or 3.62 ft segment.



Step 5

Install Push/Pull Release Button Screw Mounts

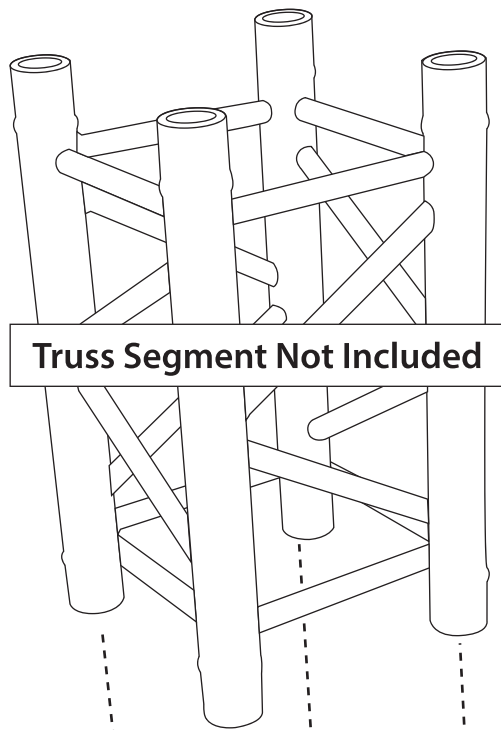


Screw the push/pull button knobs on each frame corner directly above the frame leg insert holes.

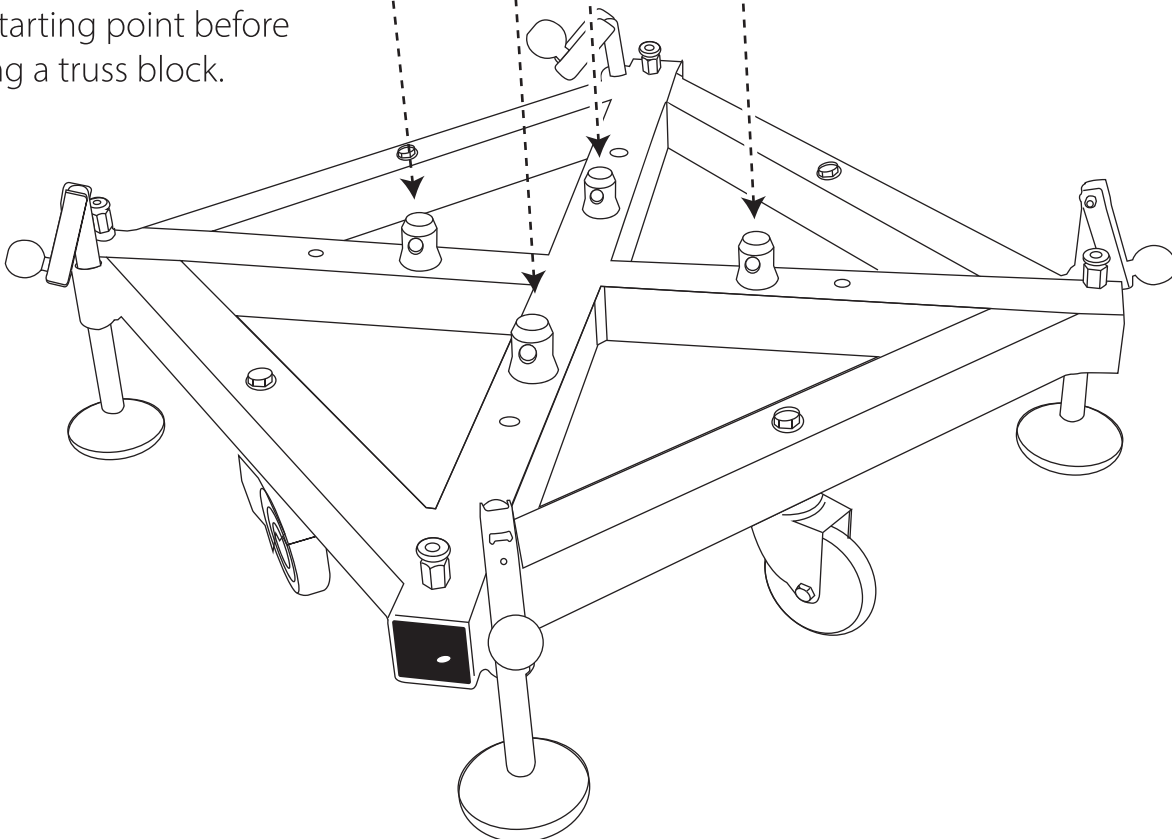
These buttons when pulled will allow the legs (Not Included) to be adjusted to the desired length and when the release will lock the leg in position.

Step 6

Install a 1ft or 3ft Truss Segment to the base



Place a single F34 Truss segment (1ft to 3 ft) on the conical connections as a starting point before adding a truss block.



We Manufacture over 4,000 products
CASES • TRUSS • STANDS • STAGES • BAGS •
CABLES • LIGHTING • AND MORE

Visit our website for customer support and product info.

Get social with us.



@proxdirect | #myprox

SKU: XT-GSB MK2

UPC: 019372406365



www.proxdirect.com